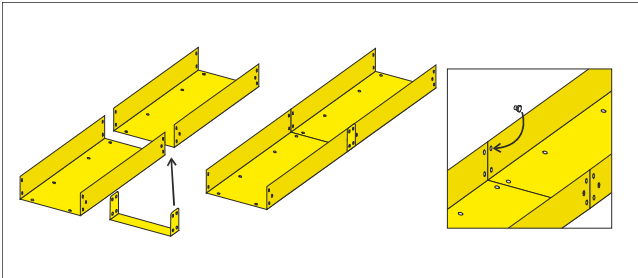
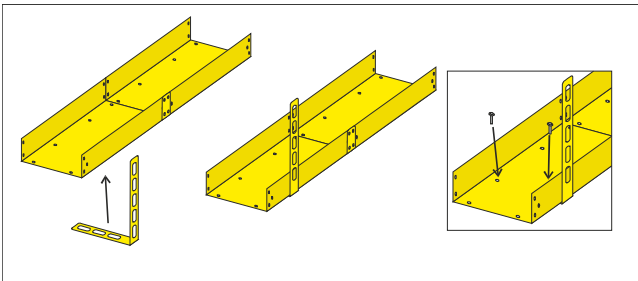


System installation manual



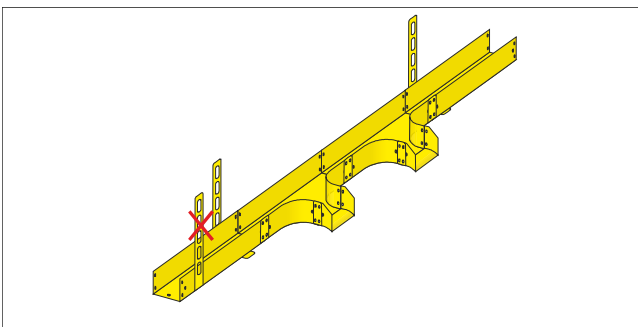
Joining two ducts together using the fasteners.

Install the fastener so that its flat head lies flush against inside surface of the duct.

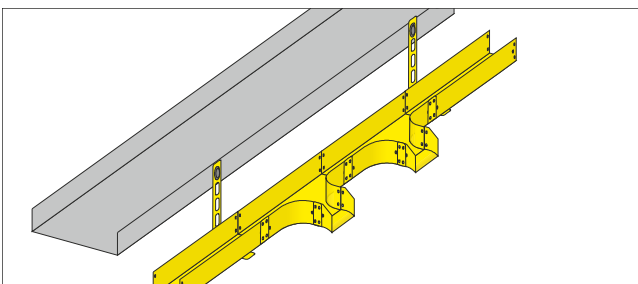


Joining ducts with bearing element, using carriage bolts.

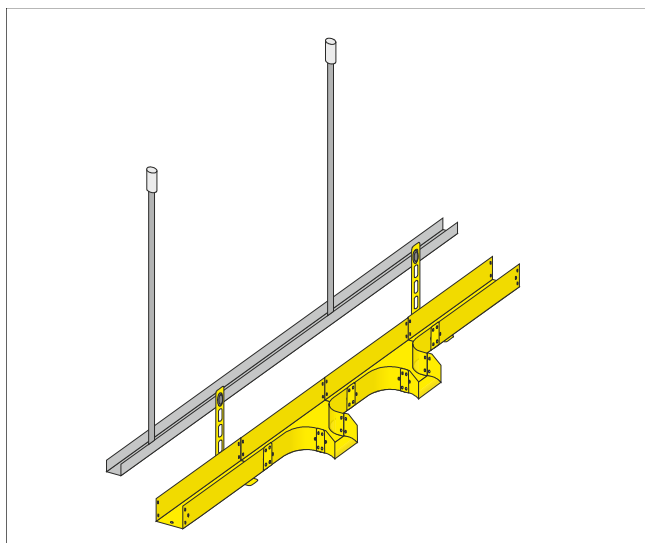
Carriage bolt's head should be lying flush against inside surface of the duct.



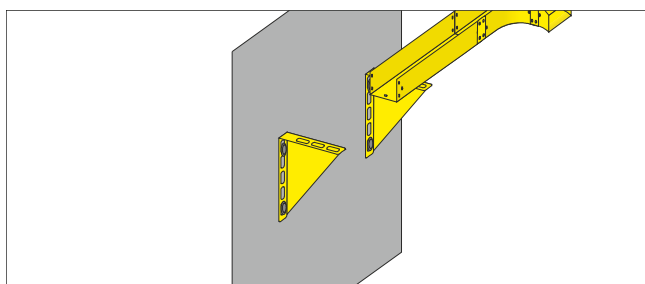
"L" shaped bearing elements should be placed only on one side of the duct thus allowing for easy loading of the fibre optic cable.



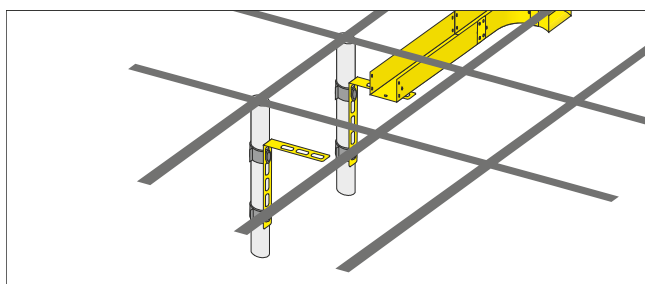
Example of fixing the ducts to existing structures.



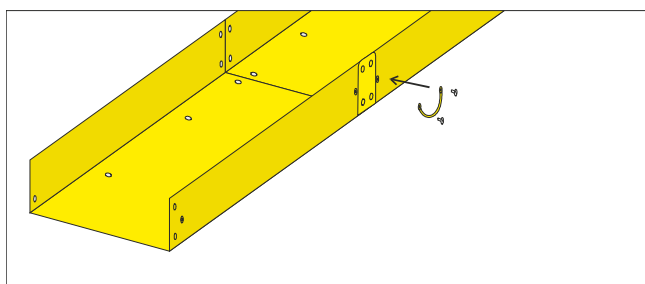
Installation to a ceiling (using additional bearing C-profile and anchor bolts.)



Installation to a wall.



Installation to raised floor.



Installation of grounding element.